

GRA-I



Griglie di ripresa industriali ad alette fisse inclinate di 45° passo 60 mm

Costruzione: Alluminio anodizzato

Impiego: A parete, per presa aria esterna o espulsione

Fissaggio: Con clips o viti frontali su richiesta

Accessori:

- Serranda di taratura in acciaio zincato con alette a movimento contrapposto (SC)
- Controtelaio di montaggio in lamiera di acciaio zincata
- Rete antivolatile
- Serranda di sovrappressione a gravità

GRA-I: Griglia di ripresa passo 60 mm (standard). Passo 75 o 100 mm a richiesta

GRAI-R: Griglia di ripresa passo 60 mm in alluminio con rete antivolatile

GRAI-R-SS: Griglia di ripresa passo 60 mm in alluminio con rete antivolatile e serranda di sovrappressione a gravità

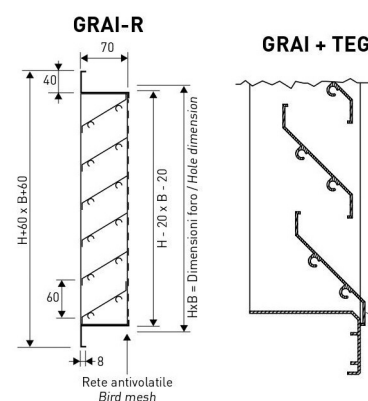
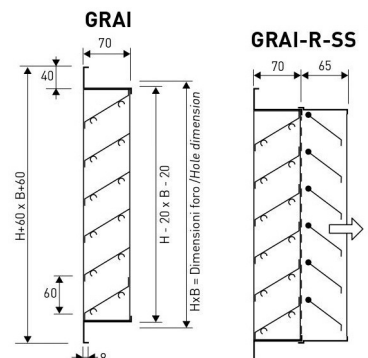
a r. griglia completa di tegolo antipioggia

Dimensioni BxH (mm)	Prezzo €			
	GRA-I	GRAI-R	GRAI-R-SS	SC serranda
400x400				
500x400				
600x400				
800x400				
1000x400				
1200x400				
1400x400				
1600x400				
1800x400				
2000x400				
400x500				
500x500				
600x500				
800x500				
1000x500				
1200x500				
1400x500				
1600x500				
1800x500				
2000x500				
400x600				
600x600				
800x600				
1000x600				
1200x600				
1400x600				
1600x600				
1800x600				
2000x600				
400x800				
600x800				
800x800				
1000x800				

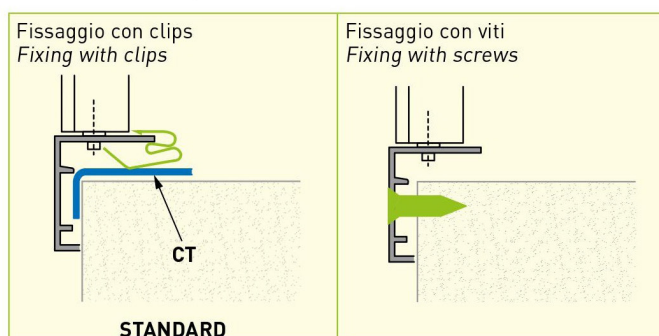
BOCCHETTE • DIFFUSORI • GRIGLIE • SERRANDE

griglie industriali

Dimensioni BxH (mm)	GRA-I	GRAI-R	GRAI-R-SS	SC serranda
1200x800				
1400x800				
1600x800				
1800x800				
2000x800				
400x1000				
600x1000				
800x1000				
1000x1000				
1200x1000				
1400x1000				
1600x1000				
1800x1000				
2000x1000				
400x1200				
600x1200				
800x1200				
1000x1200				
1200x1200				
1400x1200				
1600x1200				
1800x1200				
2000x1200				
400x1500				
600x1500				
800x1500				
1000x1500				
1200x1500				
1400x1500				
1600x1500				
1800x1500				
2000x1500				
2000x1600				
2000x1800				
2000x2000				



TIPO DI FISSAGGIO / TYPE OF FIXING



FORI / HOLES

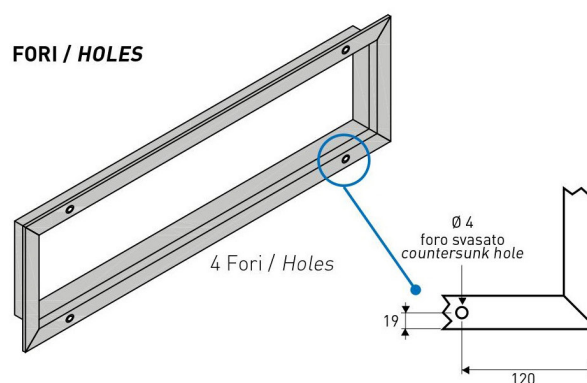
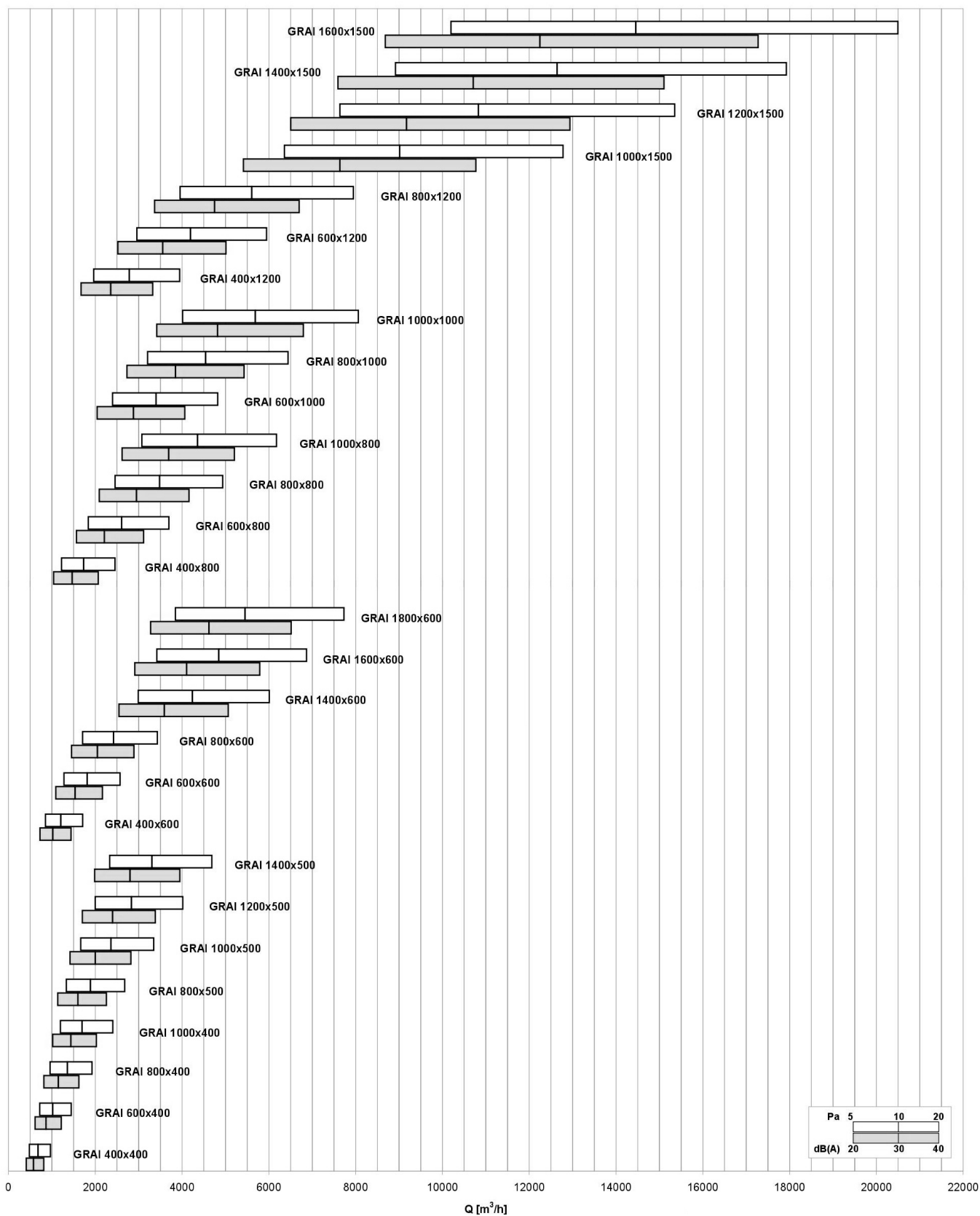


DIAGRAMMA SCELTA RAPIDA / QUICK SELECTION DIAGRAM



BOCCHETTE•DIFFUSORI•GRIGLIE•SERRANDE

griglie industriali

TABELLA DI SELEZIONE / SELECTION TABLE

Modello Model	A _v [m ²]	Q [m ³ /h]		L _{WA} [dB(A)]		Dp _t [Pa]	
		min	max	min	max	min	max
GRAI 400x400	0,0771	480	970	25	45	5	20
GRAI 600x400	0,1153	720	1450	25	45	5	20
GRAI 800x400	0,1535	960	1930	25	45	5	20
GRAI 1000x400	0,1917	1200	2410	25	45	5	20
GRAI 1200x400	0,2299	1440	2880	25	45	5	20
GRAI 1400x400	0,2681	1670	3360	25	45	5	20
GRAI 1600x400	0,3063	1910	3840	25	45	5	20
GRAI 1800x400	0,3445	2150	4320	25	45	5	20
GRAI 2000x400	0,3827	2390	4800	25	45	5	20
GRAI 400x500	0,1068	670	1340	25	45	5	20
GRAI 500x500	0,1335	830	1670	25	45	5	20
GRAI 600x500	0,1602	1000	2010	25	45	5	20
GRAI 800x500	0,2135	1330	2680	25	45	5	20
GRAI 1000x500	0,2669	1670	3350	25	45	5	20
GRAI 1200x500	0,3203	2000	4020	25	45	5	20
GRAI 1400x500	0,3736	2330	4690	25	45	5	20
GRAI 1600x500	0,4270	2670	5360	25	45	5	20
GRAI 1800x500	0,4804	3000	6030	25	45	5	20
GRAI 2000x500	0,5338	3330	6700	25	45	5	20
GRAI 400x600	0,1365	850	1710	25	45	5	20
GRAI 600x600	0,2050	1280	2570	25	45	5	20
GRAI 800x600	0,2735	1710	3430	25	45	5	20
GRAI 1000x600	0,3421	2140	4290	25	45	5	20
GRAI 1200x600	0,4106	2560	5150	25	45	5	20
GRAI 1400x600	0,4792	2990	6010	25	45	5	20
GRAI 1600x600	0,5477	3420	6870	25	45	5	20
GRAI 1800x600	0,6162	3850	7730	25	45	5	20
GRAI 2000x600	0,6848	4270	8590	25	45	5	20
GRAI 400x800	0,1958	1220	2460	25	45	5	20
GRAI 600x800	0,2947	1840	3700	25	45	5	20
GRAI 800x800	0,3936	2460	4940	25	45	5	20
GRAI 1000x800	0,4924	3070	6180	25	45	5	20
GRAI 1200x800	0,5913	3690	7420	25	45	5	20
GRAI 1400x800	0,6902	4310	8660	25	45	5	20
GRAI 1600x800	0,7890	4920	9900	25	45	5	20
GRAI 1800x800	0,8879	5540	11140	25	45	5	20
GRAI 2000x800	0,9868	6160	12380	25	45	5	20
GRAI 400x1000	0,2552	1590	3200	25	45	5	20
GRAI 600x1000	0,3844	2400	4820	25	45	5	20
GRAI 800x1000	0,5136	3210	6440	25	45	5	20
GRAI 1000x1000	0,6428	4010	8070	25	45	5	20
GRAI 1200x1000	0,7720	4820	9690	25	45	5	20
GRAI 1400x1000	0,9012	5620	11310	25	45	5	20
GRAI 1600x1000	1,0304	6430	12930	25	45	5	20
GRAI 1800x1000	1,1596	7240	14550	25	45	5	20
GRAI 2000x1000	1,2888	8040	16170	25	45	5	20
GRAI 400x1200	0,3146	1960	3950	25	45	5	20
GRAI 600x1200	0,4741	2960	5950	25	45	5	20
GRAI 800x1200	0,6336	3950	7950	25	45	5	20
GRAI 1000x1200	0,7932	4950	9950	25	45	5	20
GRAI 1200x1200	0,9527	5950	11950	25	45	5	20
GRAI 1400x1200	1,1122	6940	13950	25	45	5	20
GRAI 1600x1200	1,2718	7940	15960	25	45	5	20
GRAI 1800x1200	1,4313	8930	17960	25	45	5	20
GRAI 2000x1200	1,5908	9930	19960	25	45	5	20
GRAI 400x1500	0,4036	2520	5060	25	45	5	20
GRAI 600x1500	0,6086	3800	7640	25	45	5	20
GRAI 800x1500	0,8137	5080	10210	25	45	5	20
GRAI 1000x1500	1,0187	6360	12780	25	45	5	20
GRAI 1200x1500	1,2237	7640	15350	25	45	5	20
GRAI 1400x1500	1,4288	8920	17930	25	45	5	20
GRAI 1600x1500	1,6338	10200	20500	25	45	5	20
GRAI 1800x1500	1,8388	11480	23070	25	45	5	20
GRAI 2000x1500	2,0439	12760	25640	25	45	5	20
GRAI 2000x1600	2,1949	13700	27540	25	45	5	20
GRAI 2000x2000	2,7989	17470	35120	25	45	5	20