

GRI 50



Griglie di ripresa industriali ad alette fisse inclinate di 45° passo 50 mm

Costruzione: Acciaio zincato. Su richiesta sono disponibili costruzioni in acciaio inox AISI 304 nelle finiture 2B o BA

Impiego: A parete, per presa aria esterna o espulsione

Fissaggio: Con viti frontali

Accessori:

- Serranda di taratura in acciaio zincato con alette a movimento contrapposto (SC)
- Controtelaio di montaggio in lamiera di acciaio zincata
- Rete antivolatile
- Serranda di sovrappressione a gravità

GRI 50: Griglia di ripresa passo 50 mm in acciaio

GRI 50-R: Griglia di ripresa passo 50 mm in acciaio con rete antivolatile

GRI 50-R-SS: Griglia di ripresa passo 50 mm in acciaio con rete antivolatile e serranda di sovrappressione a gravità

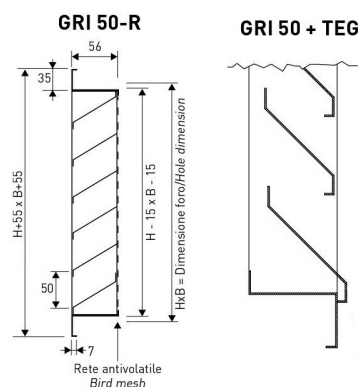
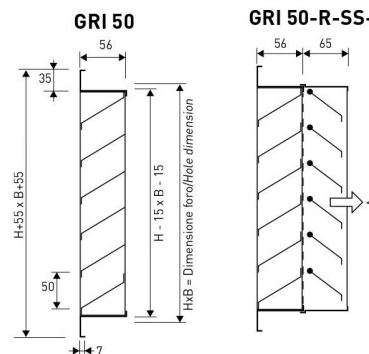
a r. griglia con rete antinsetto - griglia completa di tegolo anti-pioggia

Dimensioni BxH (mm)	Prezzo €			
	GRI 50	GRI 50-R	GRI 50-R-SS	SC serranda
400x400				
500x400				
600x400				
800x400				
1000x400				
1200x400				
1400x400				
1600x400				
1800x400				
2000x400				
400x500				
500x500				
600x500				
800x500				
1000x500				
1200x500				
1400x500				
1600x500				
1800x500				
2000x500				
400x600				
600x600				
800x600				
1000x600				
1200x600				
1400x600				
1600x600				
1800x600				
2000x600				
400x800				
600x800				
800x800				
1000x800				

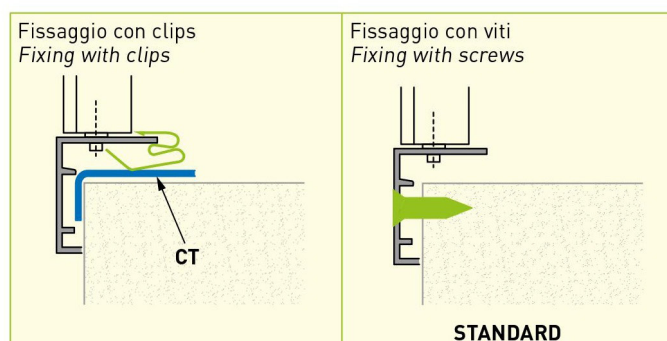
BOCCHETTE • DIFFUSORI • GRIGLIE • SERRANDE

griglie industriali

Dimensioni BxH (mm)	GRI 50	GRI 50-R	GRI 50-R-SS	SC serranda
1200x800				
1400x800				
1600x800				
1800x800				
2000x800				
400x1000				
600x1000				
800x1000				
1000x1000				
1200x1000				
1400x1000				
1600x1000				
1800x1000				
2000x1000				
400x1200				
600x1200				
800x1200				
1000x1200				
1200x1200				
1400x1200				
1600x1200				
1800x1200				
2000x1200				
400x1500				
600x1500				
800x1500				
1000x1500				
1200x1500				
1400x1500				
1600x1500				
1800x1500				
2000x1500				
2000x1600				
2000x1800				
2000x2000				



TIPO DI FISSAGGIO / TYPE OF FIXING



FORI / HOLES

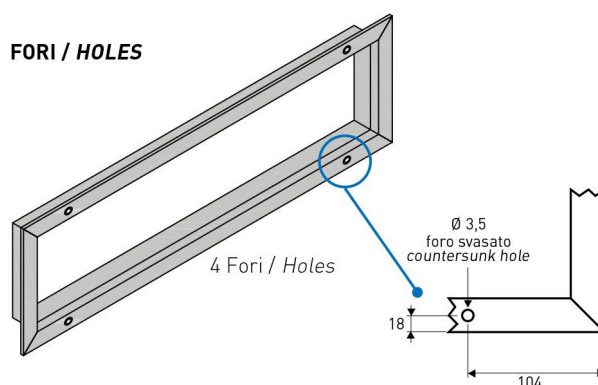
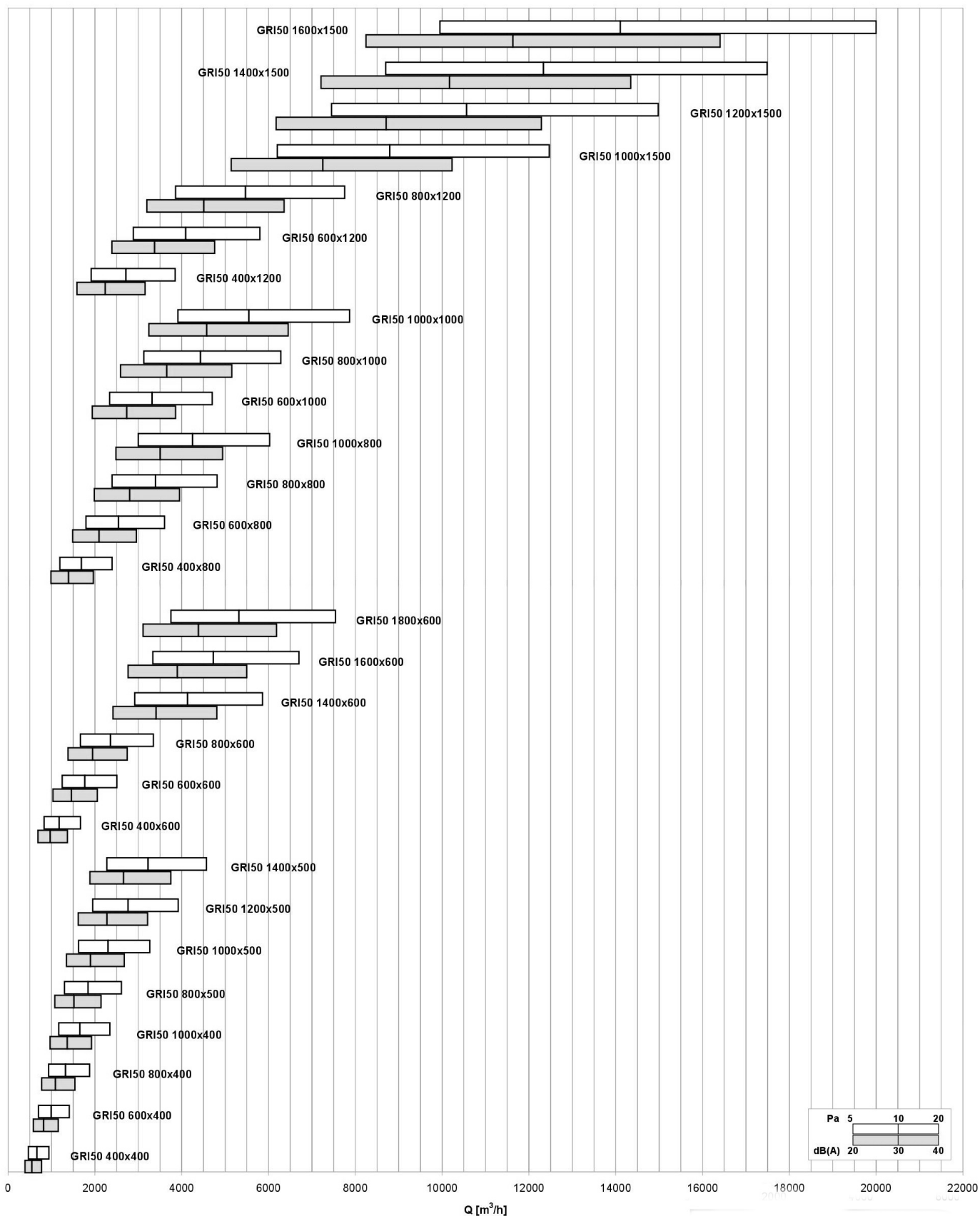


DIAGRAMMA SCELTA RAPIDA / QUICK SELECTION DIAGRAM



BOCCHETTE•DIFFUSORI•GRIGLIE•SERRANDE

griglie industriali

TABELLA DI SELEZIONE / SELECTION TABLE

Modello Model	A _x [m ²]	Q [m ³ /h]		L _{WA} [dB(A)]		Dp _i [Pa]	
		min	max	min	max	min	max
GR150 400x400	0,0771	470	940	25	46	5	20
GR150 600x400	0,1153	700	1410	25	46	5	20
GR150 800x400	0,1535	930	1880	25	46	5	20
GR150 1000x400	0,1917	1170	2350	26	46	5	20
GR150 1200x400	0,2299	1400	2810	25	46	5	20
GR150 1400x400	0,2681	1630	3280	25	46	5	20
GR150 1600x400	0,3063	1870	3750	26	46	5	20
GR150 1800x400	0,3445	2100	4220	25	46	5	20
GR150 2000x400	0,3827	2330	4690	25	46	5	20
GR150 400x500	0,1068	650	1310	25	46	5	20
GR150 500x500	0,1335	810	1630	25	46	5	20
GR150 600x500	0,1602	980	1960	26	46	5	20
GR150 800x500	0,2135	1300	2610	25	46	5	20
GR150 1000x500	0,2669	1630	3270	26	46	5	20
GR150 1200x500	0,3203	1950	3920	25	46	5	20
GR150 1400x500	0,3736	2280	4570	26	46	5	20
GR150 1600x500	0,4270	2600	5230	25	46	5	20
GR150 1800x500	0,4804	2930	5880	26	46	5	20
GR150 2000x500	0,5338	3250	6530	25	46	5	20
GR150 400x600	0,1365	830	1670	25	46	5	20
GR150 600x600	0,2050	1250	2510	25	46	5	20
GR150 800x600	0,2735	1670	3350	26	46	5	20
GR150 1000x600	0,3421	2080	4190	25	46	5	20
GR150 1200x600	0,4106	2500	5030	25	46	5	20
GR150 1400x600	0,4792	2920	5870	25	46	5	20
GR150 1600x600	0,5477	3340	6700	25	46	5	20
GR150 1800x600	0,6162	3750	7540	25	46	5	20
GR150 2000x600	0,6848	4170	8380	25	46	5	20
GR150 400x800	0,1958	1190	2400	25	46	5	20
GR150 600x800	0,2947	1790	3610	25	46	5	20
GR150 800x800	0,3936	2400	4820	25	46	5	20
GR150 1000x800	0,4924	3000	6030	25	46	5	20
GR150 1200x800	0,5913	3600	7240	25	46	5	20
GR150 1400x800	0,6902	4200	8450	25	46	5	20
GR150 1600x800	0,7890	4810	9660	25	46	5	20
GR150 1800x800	0,8879	5410	10870	25	46	5	20
GR150 2000x800	0,9868	6010	12080	25	46	5	20
GR150 400x1000	0,2552	1550	3120	25	46	5	20
GR150 600x1000	0,3844	2340	4710	25	46	5	20
GR150 800x1000	0,5136	3130	6290	25	46	5	20
GR150 1000x1000	0,6428	3910	7870	25	46	5	20
GR150 1200x1000	0,7720	4700	9450	25	46	5	20
GR150 1400x1000	0,9012	5490	11030	25	46	5	20
GR150 1600x1000	1,0304	6270	12610	25	46	5	20
GR150 1800x1000	1,1596	7060	14200	25	46	5	20
GR150 2000x1000	1,2888	7850	15780	25	46	5	20
GR150 400x1200	0,3146	1920	3850	26	46	5	20
GR150 600x1200	0,4741	2890	5800	25	46	5	20
GR150 800x1200	0,6336	3860	7760	25	46	5	20
GR150 1000x1200	0,7932	4830	9710	25	46	5	20
GR150 1200x1200	0,9527	5800	11660	25	46	5	20
GR150 1400x1200	1,1122	6770	13620	25	46	5	20
GR150 1600x1200	1,2718	7740	15570	25	46	5	20
GR150 1800x1200	1,4313	8720	17520	25	46	5	20
GR150 2000x1200	1,5908	9690	19480	25	46	5	20
GR150 400x1500	0,4036	2460	4940	25	46	5	20
GR150 600x1500	0,6086	3710	7450	25	46	5	20
GR150 800x1500	0,8137	4960	9960	25	46	5	20
GR150 1000x1500	1,0187	6200	12470	25	46	5	20
GR150 1200x1500	1,2237	7450	14980	25	46	5	20
GR150 1400x1500	1,4288	8700	17490	25	46	5	20
GR150 1600x1500	1,6338	9950	20000	25	46	5	20
GR150 1800x1500	1,8388	11200	22510	25	46	5	20
GR150 2000x1500	2,0439	12450	25020	25	46	5	20
GR150 2000x1600	2,1949	13370	26870	25	46	5	20
GR150 2000x1800	2,4969	15210	30570	25	46	5	20
GR150 2000x2000	2,7989	17040	34260	25	46	5	20